

# ENERFIX

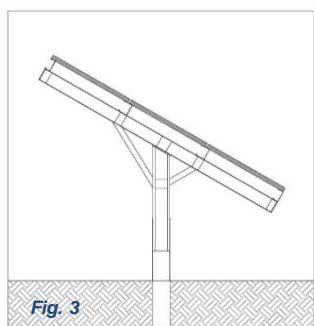
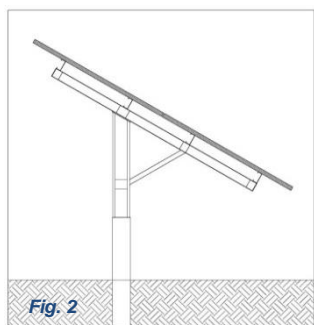
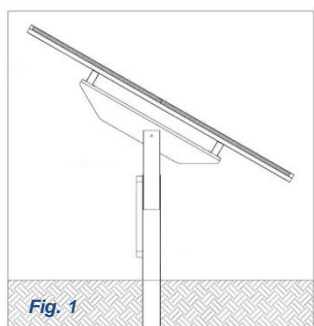
## SMART PV MOUNTING SYSTEM



ENERFIX allows quick and flexible installation of big pv plants.  
The systems are designed both for the installation of  
amorphous that for crystalline modules

Three products for all the solution:

- F1 - Low Load and Fast Mounting (Fig. 1)
- F2 - Medium Load (Fig.2)
- F3 - Hight Load (Fig.3)



## SIMPLE

Designed for easy  
and fast installation

## MODULAR

Realized with modular  
site configuration and  
preassembled components

## FLEXIBILITY

Adaptable to different modules  
disposition (portrait or landscape  
Configuration) and inclination.

## LOW MAINTENANCE

Enerfix systems are guaranteed  
for ten years without necessity of  
big maintenance

## USED MATERIALS

Steel: S235/S275/S355 compliant with UNI EN 10025 - UNI EN 10210 - UNI EN 10219-1 and DM 07/01/08.

The protection of steel against corrosion is obtained by hot-dip galvanized according to the UNI EN ISO 1461.

Nuts & bolts: compliant with UNI EN ISO 4016:2002 and UNI 5592:1968

Electric arc welding compliant with UNI EN ISO 4063:2001

All Enerfix systems are compliant to NTC 2008